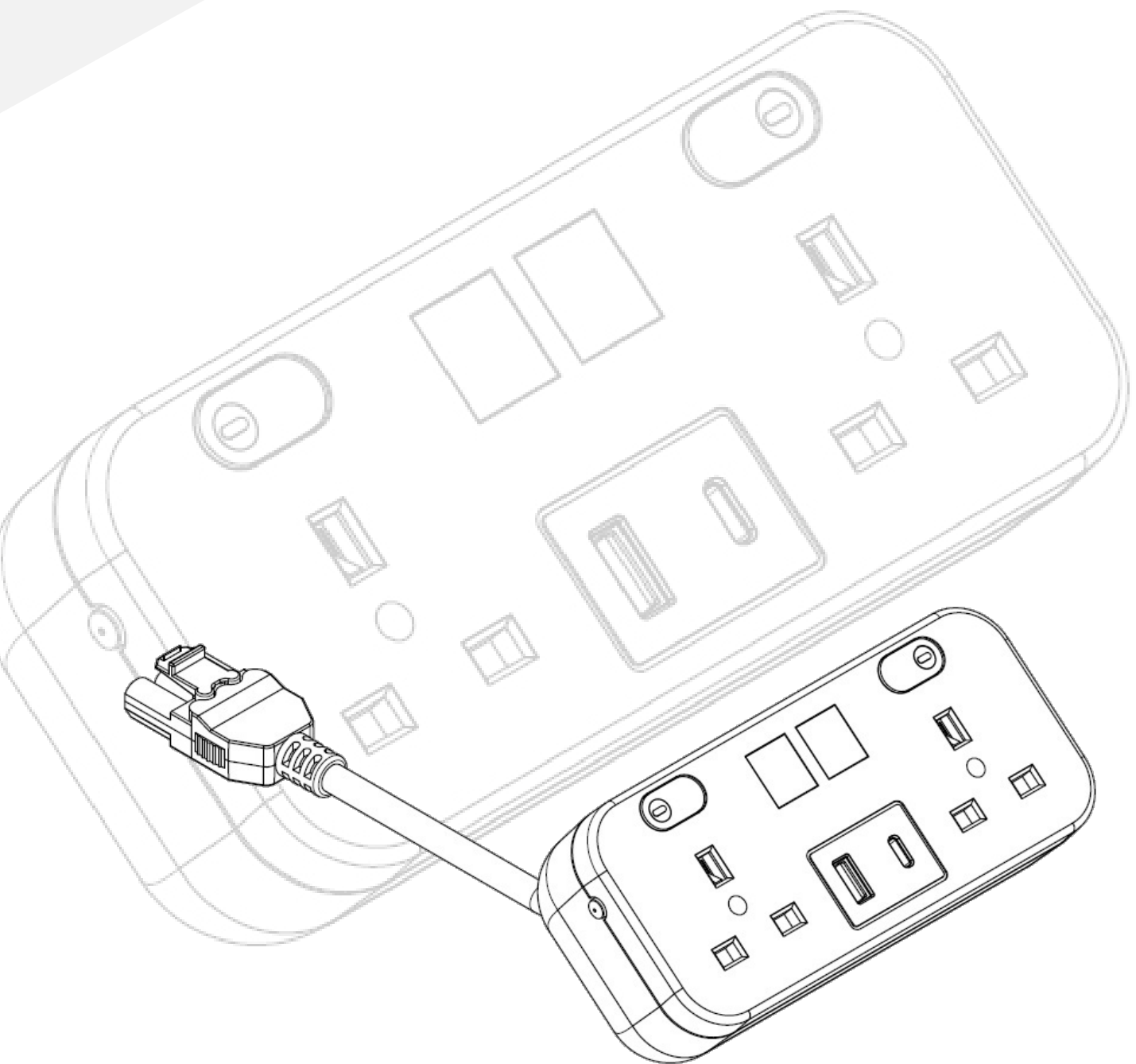


# ICON DESKTOP

Technical Datasheet

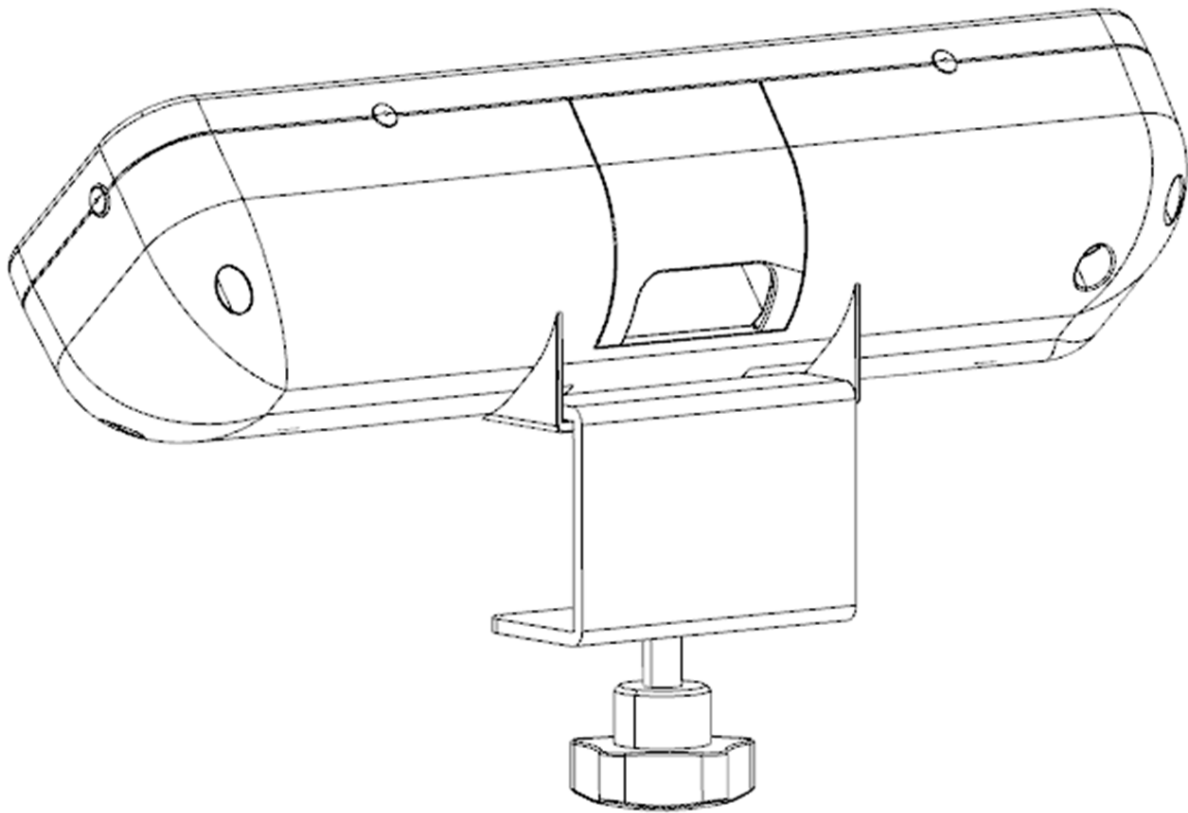


## Standard Products

<b>ICON ONE</b>					
<b>Part Code</b>	<b>UK sockets</b>	<b>USB</b>	<b>Media Slot 1</b>	<b>Media Slot 2</b>	<b>Colour</b>
ICON-ONE.W	1x UK socket	18W: 2x USB C, 1x USB A	N/A	N/A	White
ICON-ONE.B	1x UK socket	18W: 2x USB C, 1x USB A	N/A	N/A	Black
ICON-ONE.W-65	1x UK socket	65W: 2x USB C, 1x USB A	N/A	N/A	White
ICON-ONE.B-65	1x UK socket	65W: 2x USB C, 1x USB A	N/A	N/A	Black
<b>ICON TWO</b>					
<b>Part Code</b>	<b>UK sockets</b>	<b>USB</b>	<b>Media Slot 1</b>	<b>Media Slot 2</b>	<b>Colour</b>
ICON.W	2x UK sockets	18W: 1x USB C, 1x USB A	Blank	Blank	White
ICON.B	2x UK sockets	18W: 1x USB C, 1x USB A	Blank	Blank	Black
ICON.W-65	2x UK sockets	65W: 2x USB C	Blank	Blank	White
ICON.B-65	2x UK sockets	65W: 2x USB C	Blank	Blank	Black
ICON.W-D1	2x UK sockets	18W: 1x USB C, 1x USB A	Cat6	Blank	White
ICON.B-D1	2x UK sockets	18W: 1x USB C, 1x USB A	Cat6	Blank	Black
ICON.W-65-D1	2x UK sockets	65W: 2x USB C	Cat6	Blank	White
ICON.B-65-D1	2x UK sockets	65W: 2x USB C	Cat6	Blank	Black
ICON.W-D2	2x UK sockets	18W: 1x USB C, 1x USB A	Cat6	Cat6	White
ICON.B-D2	2x UK sockets	18W: 1x USB C, 1x USB A	Cat6	Cat6	Black
ICON.W-65-D2	2x UK sockets	65W: 2x USB C	Cat6	Cat6	White
ICON.B-65-D2	2x UK sockets	65W: 2x USB C	Cat6	Cat6	Black
ICON.W-DH	2x UK sockets	18W: 1x USB C, 1x USB A	Cat6	HDMI	White
ICON.B-DH	2x UK sockets	18W: 1x USB C, 1x USB A	Cat6	HDMI	Black
ICON.W-65-DH	2x UK sockets	65W: 2x USB C	Cat6	HDMI	White
ICON.B-65-DH	2x UK sockets	65W: 2x USB C	Cat6	HDMI	Black
<b>ICON FOUR</b>					
<b>Part Code</b>	<b>UK sockets</b>	<b>USB</b>	<b>Media Slot 1</b>	<b>Media Slot 2</b>	<b>Colour</b>
ICON.W4	4x UK sockets	18W: 1x USB C, 1x USB A	Blank	Blank	White
ICON.B4	4x UK sockets	18W: 1x USB C, 1x USB A	Blank	Blank	Black
ICON.W4-65	4x UK sockets	65W: 2x USB C	Blank	Blank	White
ICON.B4-65	4x UK sockets	65W: 2x USB C	Blank	Blank	Black
ICON.W4-D1	4x UK sockets	18W: 1x USB C, 1x USB A	Cat6	Blank	White
ICON.B4-D1	4x UK sockets	18W: 1x USB C, 1x USB A	Cat6	Blank	Black
ICON.W4-65-D1	4x UK sockets	65W: 2x USB C	Cat6	Blank	White
ICON.B4-65-D1	4x UK sockets	65W: 2x USB C	Cat6	Blank	Black
ICON.W4-D2	4x UK sockets	18W: 1x USB C, 1x USB A	Cat6	Cat6	White
ICON.B4-D2	4x UK sockets	18W: 1x USB C, 1x USB A	Cat6	Cat6	Black
ICON.W4-65-D2	4x UK sockets	65W: 2x USB C	Cat6	Cat6	White
ICON.B4-65-D2	4x UK sockets	65W: 2x USB C	Cat6	Cat6	Black
ICON.W4-DH	4x UK sockets	18W: 1x USB C, 1x USB A	Cat6	HDMI	White
ICON.B4-DH	4x UK sockets	18W: 1x USB C, 1x USB A	Cat6	HDMI	Black
ICON.W4-65-DH	4x UK sockets	65W: 2x USB C	Cat6	HDMI	White
ICON.B4-65-DH	4x UK sockets	65W: 2x USB C	Cat6	HDMI	Black

*Other configurations are available. Media options include Cat6, Cat6A, HDMI, USB A, and USB C*

## Installation



ICON desktops are fixed to the desk using a single clamp, which is toolless, and fits desks of thicknesses between 20mm and 35mm . A clamp is included with each desktop, and fits into the integrated mounting hole on the rear of the desktop unit.

## Usage & Maintenance

Not to be used with products and appliances exceeding 5A

Thermal fuses are resettable. To reset the fuse, use a tool to press in the red reset button

To clean unit, disconnect from the mains, and wipe with a clean damp cloth

## USB Specification

### PD65W units, with 2x USB C and 1 x USB A

Model	ICON-ONE.B-65; ICON-ONE.W-65		
Input	220Vac-240Vac 50/60Hz 1.8Amax		
Single Port Output	USB C port 1	5V3A, 9V3A, 12V3A, 15V3A, 20V3.25A, Total: 65W	
	USB C port 2	5V3A, 9V2.22A, 12V1.67A, Total: 20W	
	USB A	5V3A, 9V2A, 12V1.5A, Total 18W	
Multi Port Output	USB C port 1&2	USB C port 1	5V3A, 9V3A, 12V3A, 15V3A, 20V2.25A, 45W Max
		USB C port 2	5V3A, 9V2.22A, 12V1.67A, 20W Max
	USB C(1) & USB A	USB C port 1	5V3A, 9V3A, 12V3A, 15V3A, 20V2.25A, 45W Max
		USB A	5V3A, 9V2A, 12V1.5A, 18W Max
	USB C(2) & USB A	5V3A 15W Max	

### PD20W units, with 2x USB C and 1 x USB A

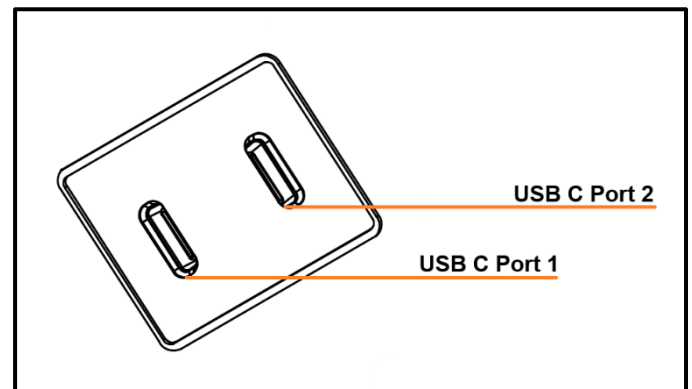
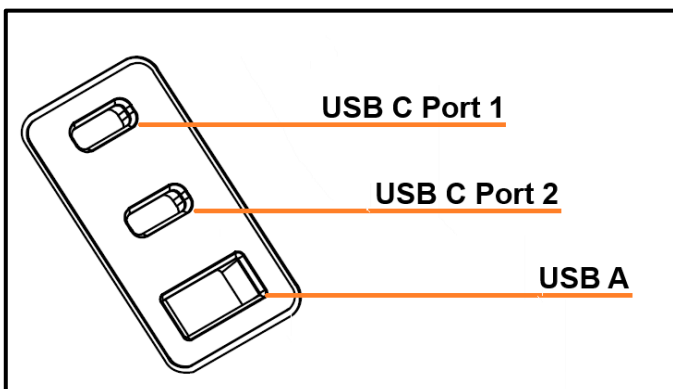
Model	ICON-ONE.B; ICON-ONE.W		
Input	220Vac-240Vac 50/60Hz 0.5Amax		
Single Port Output	USB C port 1	5V3A, 9V2.2A, 12V1.67A, Total: 20W	
	USB C port 2	5V3A, 9V2.2A, 12V1.67A, Total: 20W	
	USB A	5V3A, 9V2A, 12V1.5A, Total: 18W	
Multi Port Output	USB C1+2 & USB A	5V3.1A Max	

### PD65W units, with 2x USB C

Model	ICON.B-65; ICON.W-65; ICON.B4-65; ICON.W4-65		
Input	220Vac-240Vac 50/60Hz 1.8Amax		
Single Port Output	USB C port 1	5V3A, 9V3A, 12V3A, 15V3A, 20V3.25A, Total: 65W	
	USB C port 2	5V3A, 9V2.22A, 12V1.67A, Total: 20W	
Multi Port Output	USB C port 1&2	USB C port 1	5V3A, 9V3A, 12V3A, 15V3A, 20V2.25A, 45W Max
		USB C port 2	5V3A, 9V2.22A, 12V1.67A, 20W Max

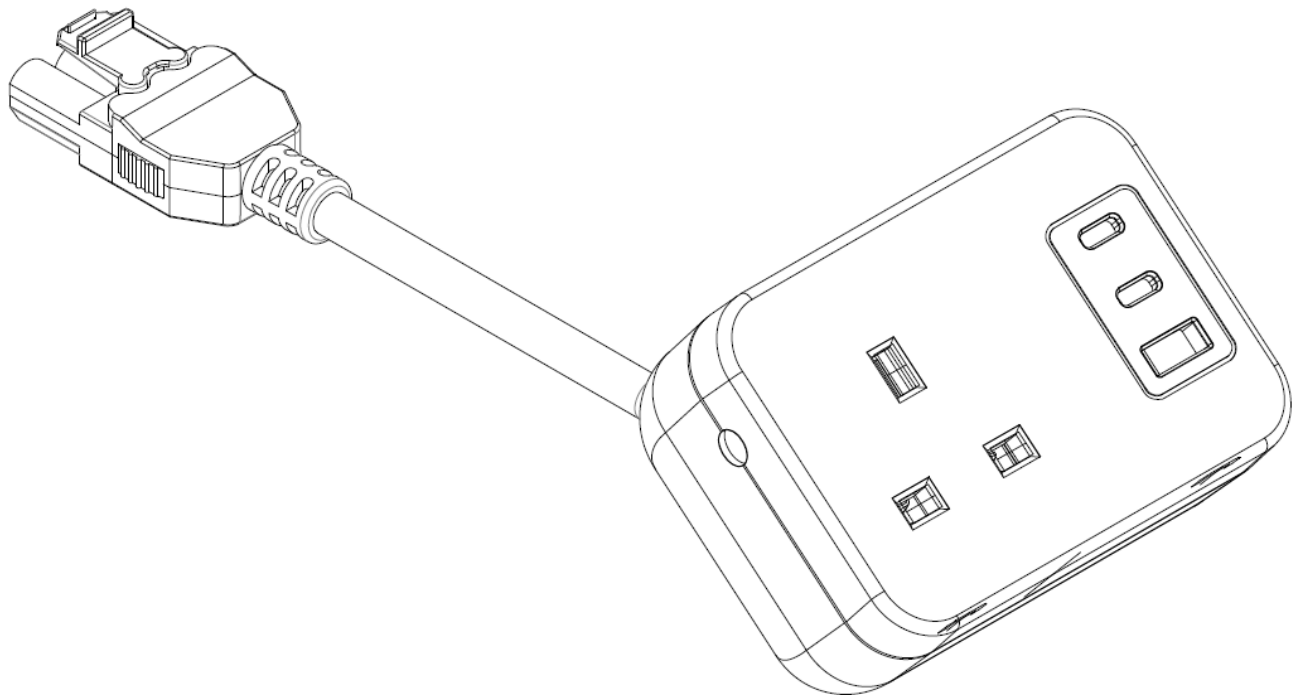
### PD18W units, with 1x USB C & 1x USB A

Model	ICON.B; ICON.W; ICON.B4; ICON.W4		
Input	220Vac-240Vac 50/60Hz 0.5Amax		
Single Port Output	USB C	5V3A, 9V2A, 12V1.5A, Total: 18W	
	USB A	5V3A, 9V2A, 12V1.5A, Total 18W	
Multi Port Output	USB C & USB A	5V3.1A Max	



## Technical Specification

In the box	1x ICON Desktop unit, 1x desk clamp
Unit Dimensions	74mm x 76mm x 100mm (ICON-ONE) 74mm x 76mm x 155mm (ICON) 74mm x 76mm x 265mm (ICON-FOUR)
Construction	PVC housing
Max voltage	250V
Fuse rating	3A
Fuse size / type	Resettable thermal fuse
Fuse current voltage	1.5-8A 250 V50/60Hz
Mains lead length	500mm
Mains lead specification	1.5mm <sup>2</sup> H05VV-f 3 core
Mains connector	20A male 3-pole connector
Conformities	BS 5733, BS 6396
Switch	Single pole with neon indicator
Flammability	UL940V, IP20
Compliances	RoHS, WEEE, CE, UKCA



**PowerData Technologies Ltd**

Unit 5 Mallard Court  
Off Mallard Close  
Earls Barton  
NN6 0HD  
01604 812004  
sales@powerdatatec.com